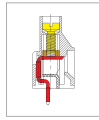
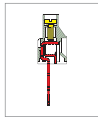


MB910 PCB Terminal Block, Modular



MB910-635M



MB910-635M..L



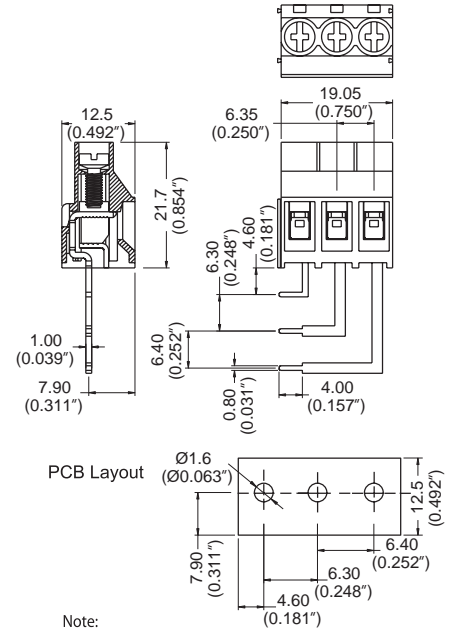
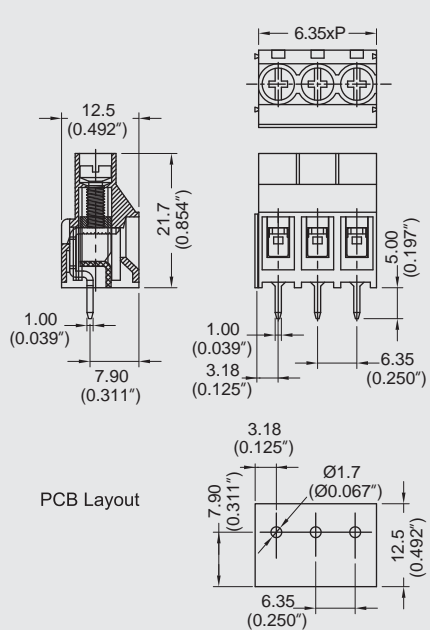
MB

DIMENSIONS/POSITIONS

| DIMENSIONS/POSITIONS | | MB910-635M | MB910-635M..L |
|----------------------|-------------------------|--------------------------|--------------------------|
| 間距 | Pitch | 6.35mm | 6.35mm |
| 位數 | Poles | 2 ~ 3Poles | 2 ~ 3Poles |
| 塑膠本體 | Housing Material | PA 66 | PA 66 |
| 壓線圈 | Cage Clamp | Steel, Ni Plated | Steel, Ni Plated |
| 端子 | Contact | Brass, Tin Plated | Brass, Tin Plated |
| 螺紋 | Screw Thread | M3.0, Steel, Zinc Plated | M3.0, Steel, Zinc Plated |
| 電線線徑 | Wire Size | 10 ~ 24AWG | 10 ~ 24AWG |
| 剝線長度 | Wire Strip Length | 6mm ~ 7mm | 6mm ~ 7mm |
| PCB孔徑 | PCB Hole Diameter | 1.7mm | 1.6mm |
| 最大緊固扭矩 | Tightening Torque, Max. | 9.0 Lb-in | 9.0 Lb-in |
| 環境作業溫度 | Operating Temperature | -40°C to +105°C | -40°C to +105°C |

TECHNICAL DATA

| | | | |
|---|--------------------------------|--------------------|--------------------|
| 連接符合標準 Connection in acc. with standard EN-VDE | | | |
| 額定電流 I _n | Nominal Current I _n | 30A | 30A |
| 額定橫截面 | Nominal Cross Section | 6.0mm ² | 6.0mm ² |
| 最大負載電流 | Maximum load current | 30A | 30A |
| 絕緣材料 | Insulating Material | PA | PA |
| 阻燃等級,符合UL94 Inflammability class acc. to UL94 | | V0 | V0 |
| 額定電壓,UL/CUL Nominal voltage, UL/CUL | | 300V | 300V |
| 額定電流,UL/CUL Nominal current, UL/CUL | | 30A | 28A |



Note: Screw Plating: Changes are available upon request